

**EASILY CONFIGURED TO MEET YOUR NEEDS**

**FORK**

- Load platform

**POWER**

- Standard winch

**BASE**

- Standard base

**WHEEL / CASTER OPTIONS**

- 8 in (20 cm) non-marking rear wheels
- Pneumatic 8 in (20 cm) rear wheels for rough terrain
- 2 in (5 cm) non-marking front swivel casters

**OPTIONS & ACCESSORIES**

**PRODUCTIVITY**

- 8 in (20 cm) non-marking rear wheels
- Pneumatic 8 in (20 cm) rear wheels for rough terrain
- 2 in (5 cm) non-marking front swivel casters
- Field-installable foot break

**STANDARD FEATURES**

**MEASUREMENTS**

- 5 ft 7 in (1.70 m) working height
- Up to 200 lb (91 kg) load capacity

**PRODUCTIVITY**

- Portable and compact design
- Lightweight durable aluminum construction
- High strength aircraft quality cable
- Cushioned neoprene hand grip
- Beveled aluminum platform for easy loading and unloading
- Portable - folds for compact storage
- 8 in (20 cm) non-marking rear wheels
- Stair glides for easy handling on stairs
- Hold-down mechanism secures for transport

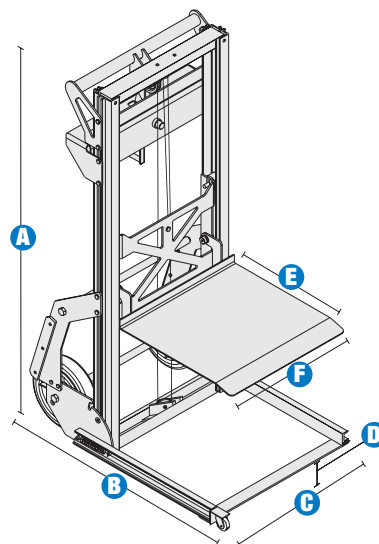
**POWER**

- Standard quiet high-speed winch
- Reversible winch handle for easy storage



# Specifications

MODEL	LOAD LIFTER™	
<b>MEASUREMENTS</b>	<b>US</b>	<b>Metric</b>
<b>A</b> Height - stowed	3 ft 9 in	1.14 m
Height - platform maximum	5 ft 7 in	1.70 m
<b>B</b> Length - stowed	1 ft 3 in	.38 m
Length - operating	2 ft 4.75 in	.73 m
<b>C</b> Width - stowed	1 ft 8.5 in	.52 m
<b>PRODUCTIVITY</b>		
Load capacity	200 lbs	91 kg
<b>D</b> Load height minimum	2 in	.05 m
Ground clearance - center	.75 in	.02 m
Average cranks - standard winch	3 cranks/ft	3 cranks/.30 m
<b>E</b> Load platform length	1 ft 2 in	.36 m
<b>F</b> Load platform width	1 ft 4.75 in	.43 m
<b>POWER</b>		
Power source	reversible standard winch	
<b>WEIGHT*</b>		
	58 lbs	26 kg



\* Weight will vary depending on options and/or country standards.

**Genie United States**

18340 NE 76th Street  
P.O. Box 97030  
Redmond, Washington 98073-9730

Telephone **+1 (425) 881-1800**  
Toll Free in USA/Canada **+1 (800) 536-1800**  
Fax +1 (425) 883-3475

**Genie Europe**

Millennium House  
Brunel Drive  
Newark NG24 2DE  
UK

Telephone **+44 (0)1476 584333**  
Fax +44 (0)1476 584334

Email: [infoeurope@genieind.com](mailto:infoeurope@genieind.com)

**Distributed By:**

Effective Date: January, 2008. Product specifications and prices are subject to change without notice or obligation. The photographs and/or drawings in this document are for illustrative purposes only. Refer to the appropriate Operator's Manual for instructions on the proper use of this equipment. Failure to follow the appropriate Operator's Manual when using our equipment or to otherwise act irresponsibly may result in serious injury or death. The only warranty applicable to our equipment is the standard written warranty applicable to the particular product and sale and we make no other warranty, express or implied. Products and services listed may be trademarks, service marks or trade-names of Terex Corporation, Genie Industries, Inc. and/or their subsidiaries in the U.S.A. and many other countries and all rights are reserved. Terex® is a Registered Trademark of Terex Corporation in the U.S.A. and many other countries. Genie® is a Registered Trademark of Genie Industries, Inc. in the U.S.A. and many other countries. Genie is a Terex Company. © 2008 Terex Corporation.